



Engine	Cummins 6LTAA8.9
Rated Power	205 kW (275 hp / 279 ps) @ 2,000 rpm
Operating Weight	23,974 kg
Standard Bucket Size	4.2 m ³
Standard Breakout Force	203 kN
Standard Dump Clearance	3,151 mm

877H WHEEL LOADER

877H SPECIFICATIONS >>>

ENGINE

Emission Regulation	Tier 2 / Stage II
Manufacturer	Cummins
Model	6LTA8.9
Rated Power	205 kW (275 hp / 279 ps) @ 2,000 rpm
Peak Torque	1,480 N · m @ 1,400 rpm
Displacement	8.9 L
Number of Cylinders	6
Aspiration	Turbocharged & Air-to-air intercooled

TRANSMISSION

Transmission Type	Countershaft, power shift
Torque Converter	Single stage, three elements
Maximum Travel Speed, fwd	38.3 km/h
Maximum Travel Speed, rev	26.8 km/h
Number of Speeds, fwd	4
Number of Speeds, rev	3

AXLES

Differential Front Type	Limited slip
Differential Rear Type	Limited slip
Axle Oscillation	±12°

STEERING

Steering Configuration	Articulated
Steering Relief Pressure	20.7 MPa

BRAKES

Service Brake Type	Wet discs brake
Service Brake Actuation	Fully hydraulic
Parking Brake Type	Disc
Parking Brake Actuation	Electro-hydraulic release

HYDRAULIC SYSTEM

Main Pump Type	Piston + Gear
Main Relief Pressure	20.7 MPa
Raise	5.7 s
Dump Time	1.3 s
Float Down Time	3.3 s
Fastest Total Cycle Time	10.3 s

LOADER ARM PERFORMANCE with Standard Bucket 4.2 m³

Tipping Load - Straight (ISO 14397-1:2007)	19,386 kg
Tipping Load - Full Turn (SO 14397-1:2007)	16,765 kg
Bucket Breakout Force	203 kN
A Maximum Hinge Pin Height	4,355 mm
B Dump Clearance at Full Height Discharge	3,151 mm
C Dump Reach at Full Height Discharge	1,309 mm
D Maximum Digging Depth, Bucket Level	100 mm
S ₁ Bucket Rollback at Ground Level	45°
S ₂ Bucket Rollback at Carry	49°
S ₃ Bucket Rollback at Maximum Height	60°
S ₄ Maximum Dump Angle at Full Height	45°

BUCKET PERFORMANCE

Reference Bucket	4.2 - 8.0 m ³
------------------	--------------------------

DIMENSIONS

E Ground Clearance	485 mm
G Wheelbase	3,550 mm
H Cab Height	3,580 mm
J Wheel Tread	2,270 mm
K Width Over Tires	2,970 mm
L Length with Bucket Down	9,150 mm
M Turn Angle, Either Side	38°
P Rear Angle of Departure	26°
R ₁ Turning Radius, Bucket Carry	7,400 mm
R ₂ Turning Radius, Outside of Tire	6,625 mm
W Width Over Bucket	3,188 mm

TIRES

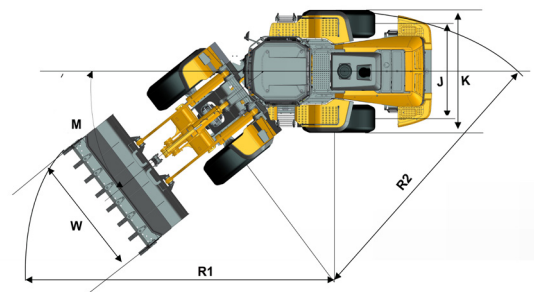
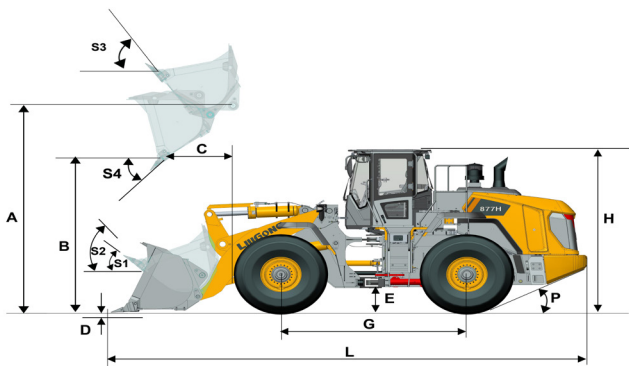
Tire Size	26.5-25 PR28 L-3 TL
-----------	---------------------

OPERATING WEIGHTS

Operating Weight	23,974 kg
------------------	-----------

SERVICE CAPACITIES

Fuel Tank	420 L
Engine Oil	30 L
Cooling System	52 L
Hydraulic Reservoir	220 L
Transmission and Torque Converter	50 L
Axles, Each	42 L



Guangxi Liugong Machinery Co., Ltd.

No. 1 Liutai Road, Liuzhou, Guangxi 545007, PR China
T: +86 772 3886124 E: overseas@liugong.com
www.liugong.com

Specifications and designs are subject to change without notice. Machines shown may include optional equipment. Liugong standard and optional equipment may vary from region to region. Please consult your Liugong dealer for information specific to your area. Engine power kW is converted to horsepower (1 kW=1.3596 ps and 1 kW=1.3410 hp) in this file.

03/2024 Designed by LiuGong
Replace the previous versions of 05/2023